

*Mobile version is shown.  
Also available without casters.*

### Contents

Important User Information . . . . .	2	Hardware Parts List . . . . .	4
General . . . . .	2	Workstation Components . . . . .	5
Manufacturer . . . . .	2	Basic Assembly . . . . .	6
Intended Use . . . . .	2	Mobile Version Assembly . . . . .	11
Warranty . . . . .	2	Non-Mobile Assembly . . . . .	14
Safety Precautions . . . . .	3	Final Assembly . . . . .	16
Required Tools . . . . .	3	Optional Rackmount Shelf Assembly . . . . .	23



Visit the Music Lab Workstations web page at [wengercorp.com](http://wengercorp.com) for more information.

**Note:** Please read and understand these instructions before assembling.  
**Note:** If you need additional information, contact Wenger Corporation using the information below.

# ***Important User Information***

---

## ***General***

Copyright © 2023 by Wenger Corporation

All rights reserved. No part of the contents of this manual may be reproduced, copied, or transmitted in any form or by any means including graphic, electronic, or mechanical methods or photocopying, recording, or information storage and retrieval systems without the written permission of the publisher, unless it is for the purchaser's personal use.

Printed and bound in the United States of America.

The information in this manual is subject to change without notice and does not represent a commitment on the part of Wenger Corporation. Wenger Corporation does not assume any responsibility for any errors that may appear in these instructions.

In no event will Wenger Corporation be liable for technical or editorial omissions made herein, nor for direct, indirect, special, incidental, or consequential damages resulting from the use or defect of these instructions. The manufacturer reserves the right to change this product at any time.

The information in this document is not intended to cover all possible conditions and situations that might occur. The end user must exercise caution and common sense when assembling or installing Wenger Corporation products. If any questions or problems arise, call the Wenger Corporation at (800) 4WENGER (493-6437) or +1-507-455-4100 worldwide.

## ***Manufacturer***

The Select Lab Adjustable Height Workstation is manufactured by:

Wenger Corporation  
555 Park Drive  
Owatonna, MN 55060  
(800) 4WENGER (493-6437) • +1 (507) 455-4100  
wengercorp.com

## ***Intended Use***

- This product is intended for indoor use in normal ambient temperature and humidity conditions — it must not be exposed to prolonged outside weather conditions.
- This product is intended to be assembled and used only as described in these instructions.

## ***Warranty***

This product is guaranteed free of defects in materials and workmanship for ten full years from date of shipment. A full warranty statement is available upon request.

Optional power strips, digital locks and other electronic equipment are covered by the individual manufacturer's warranty.

## **Safety Precautions**

---

Throughout this document you may find cautions and warnings which are defined as follows:

- **WARNING:** Failure to follow the instruction could result in serious injury or damage to property.
- **CAUTION:** Failure to follow the instruction could result in minor injury or damage to property.

Read all of these safety instructions before using the equipment.

### **⚠ CAUTION**

*Make sure anyone assembling the Select Lab Workstation has read and understands these instructions.*

### **⚠ CAUTION**

*Failure to comply with Warnings and Cautions in this document can result in damage to property or serious injury.*

### **⚠ CAUTION**

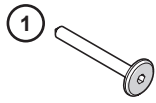
*To avoid damage or injury, more than one person is needed for assembly.*

## **Required Tools**

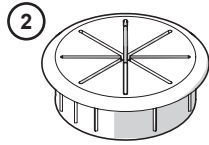
---

- Phillips head screwdriver
- Rubber or plastic mallet
- 3/8" Open-end wrench or socket
- Drill
- Side cutter or scissors
- 5/32" Hex insert bit (supplied)
- 1-3/4" Caster wrench (supplied)

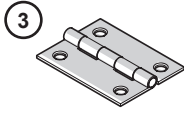
# Hardware Parts List



**250A508\_**  
7 x 50 mm  
Particle Board Screw  
(color matched paint)



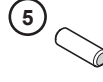
**X003583**  
2-3/8" Grommet



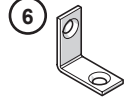
**X003706**  
2" 5-Knuckle  
Hinge



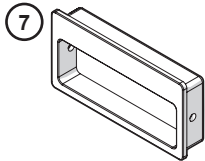
**X000045**  
#8 x 5/8"  
Pan Head Screw



**X002540**  
8 x 25 mm  
Wood Dowel



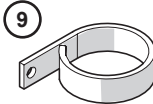
**100A444**  
Corner  
Bracket



**X003074**  
Flush Mount  
Handle



**X000824**  
#8-18 x 3/8"  
Sheet Metal Screw



**X003600**  
Wiring Clamp



**X001503**  
#10-16 x 3/4"  
Sheet Metal Screw



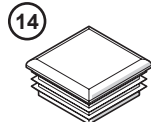
**X002971**  
1/4-20 x 1/2"  
Carriage Bolt



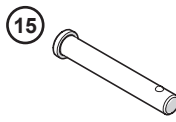
**X003110**  
1/4-20  
Wing Nut



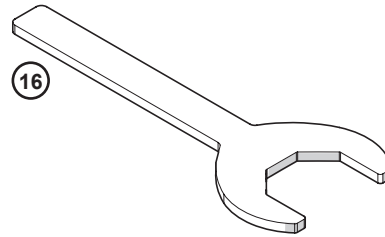
**X001442**  
1/4 x 47/64"  
Flat Washer



**X001484**  
1-1/2" Plug



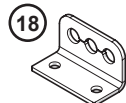
**X003736**  
3.75 Dia x 2.50"  
Clevis Pin



**100A534**  
1-3/4" Caster Wrench



**X000482**  
#8 x 5/8"  
Sheet Metal Screw  
(used only on mobile version)



**225D234**  
Door Stop  
Bracket



**X003456**  
Push-In  
Bumper



**X003738**  
#6 x 3/4"  
Flat Head Screw



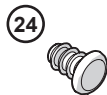
**X001962**  
5/32" Hex  
Insert Bit



**X003751**  
8-32  
Hex Nut



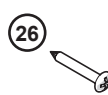
**250A515\_**  
1/4-20  
Cap Nut  
(color matched paint)



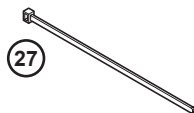
**250A515**  
1/4-20  
Cap Nut  
(black paint)



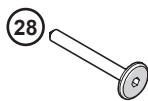
**X003743**  
1/4-20 x 0.708"  
Machine Screw



**X001162**  
#8 x 1-1/4"  
Sheet Metal Screw  
(used only on mobile version)



**X002998**  
4" Nylon Tie

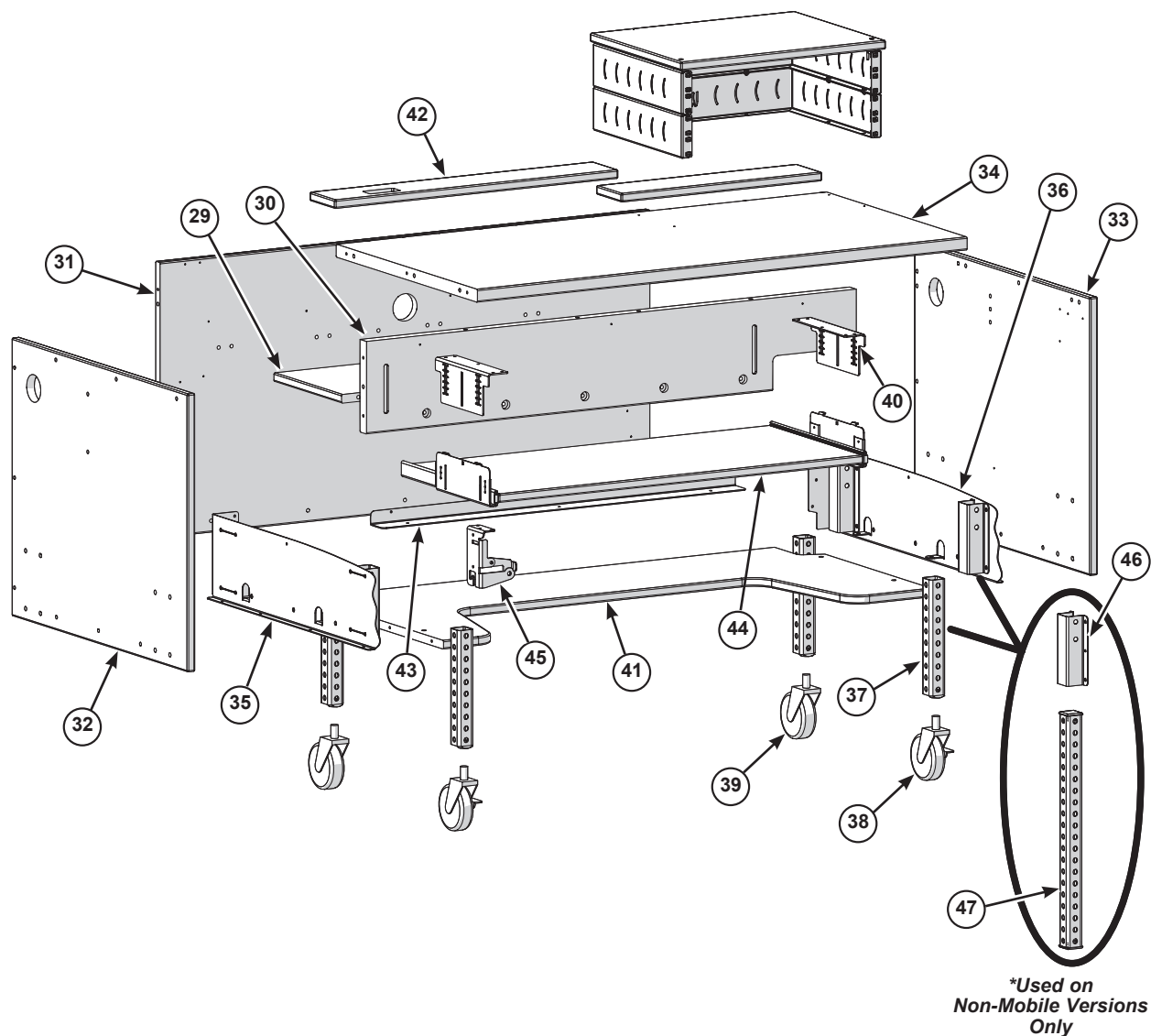


**250A508**  
7 x 50 mm  
Particle Board Screw  
(black paint)

\*Quantities may vary, extras can be discarded.

# Workstation Components

Item	Description	Item	Description
29	Shelf Wiring Panel	39	Standard Swivel Caster
30	Front Wiring Panel	40	Adjustable Keyboard Bracket
31	Back Panel	41	Bottom Fixed Shelf
32	Left Side Panel	42	Wiring Access Door
33	Right Side Panel	43	Stiffener
34	Desktop	44	Pullout Panel
35	Left Side Support Weldment	45	Headphone Mount
36	Right Side Support Weldment	46	Plain Channel*
37	Mobile Leg Tube	47	Non-Mobile Leg Tube*
38	Swivel Caster with Brake		

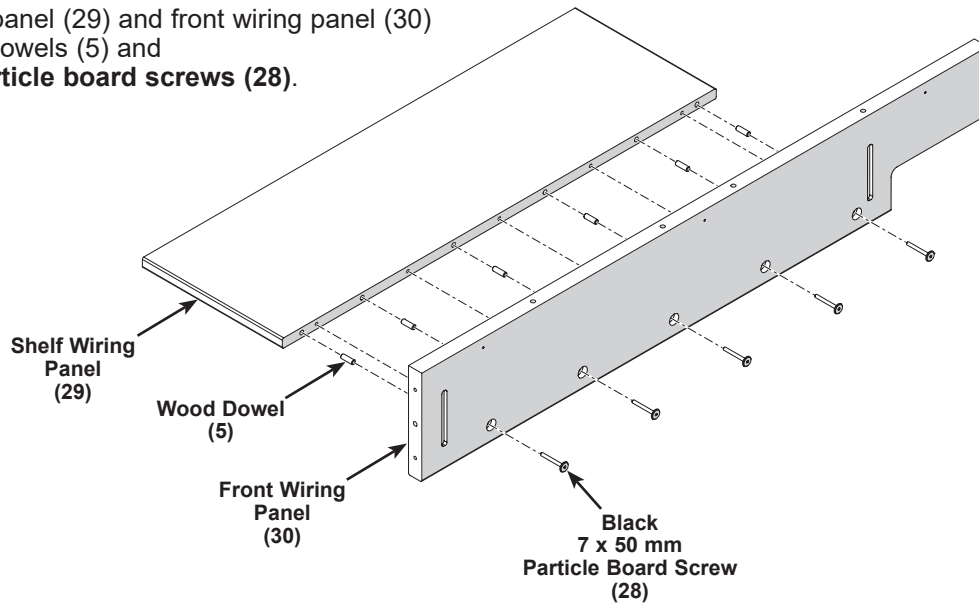


## Basic Assembly

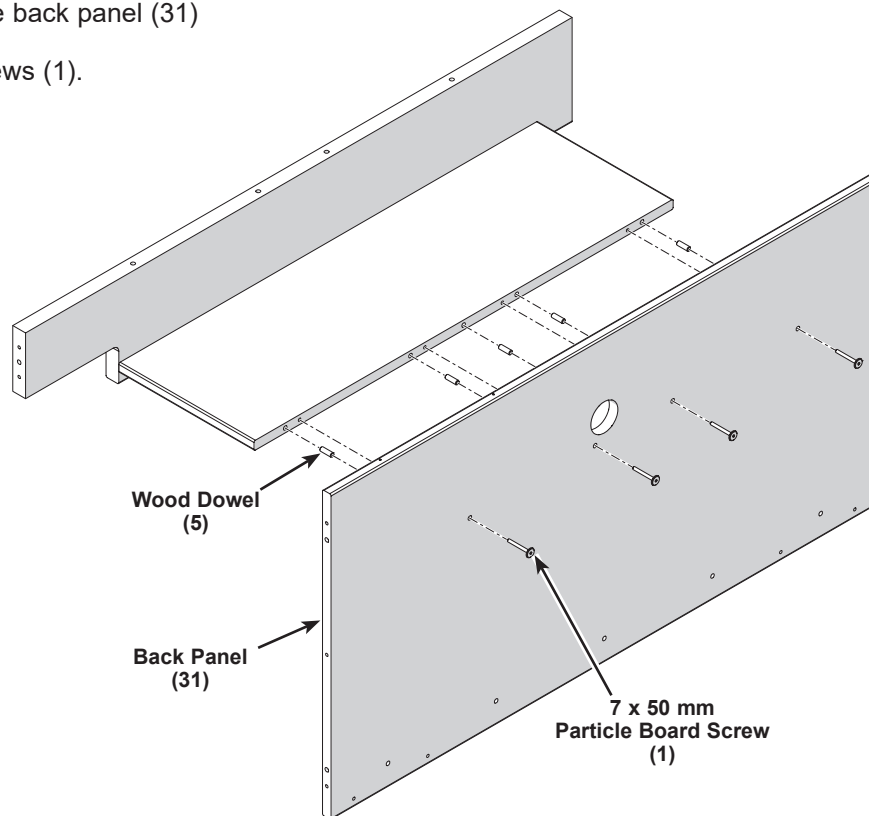
### NOTICE

*The following assembly procedure shows the mobile version of the Adjustable Height Workstation, the procedure is the same for the non-mobile version unless otherwise noted.*

1. Connect the shelf wiring panel (29) and front wiring panel (30) together using six wood dowels (5) and five black 7 x 50 mm particle board screws (28).



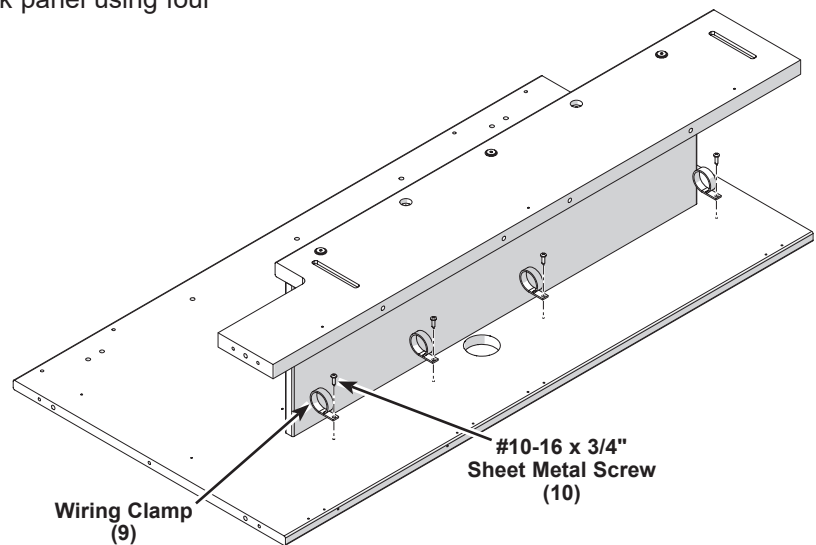
2. Attach the shelf wiring panel to the back panel (31) using five wood dowels (5) and four 7 x 50 mm particle board screws (1).



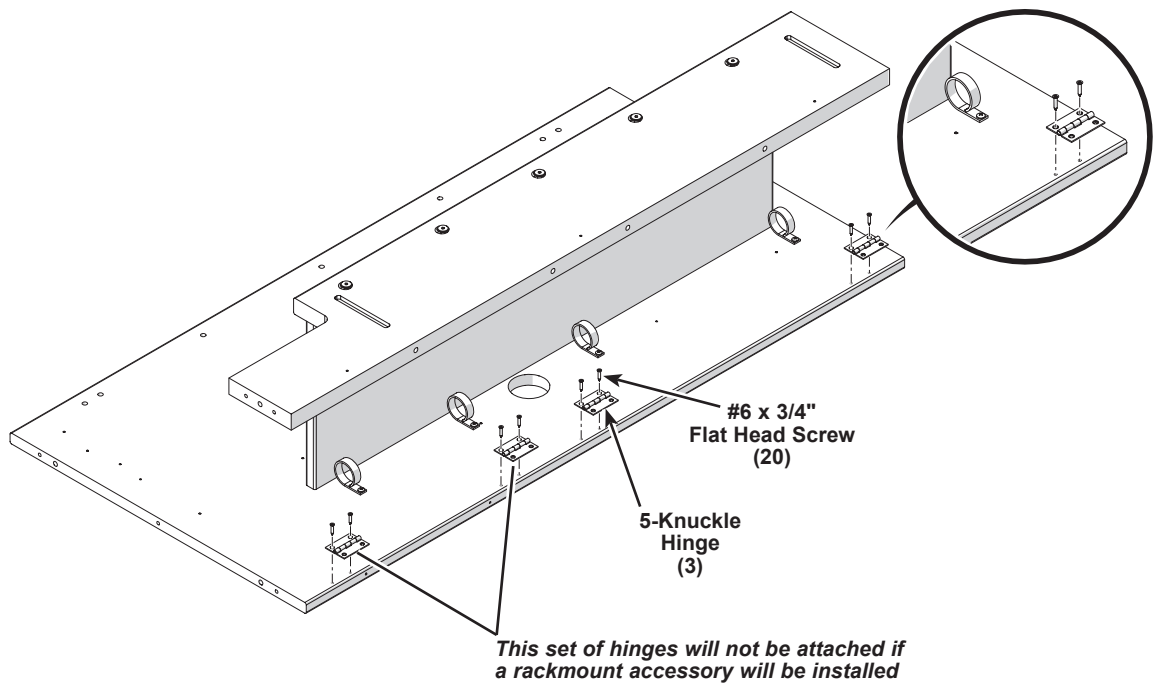
## ***Basic Assembly (continued)***

---

3. Attach four wiring clamps (9) to the back panel using four #10-16 x 3/4" sheet metal screws (10).

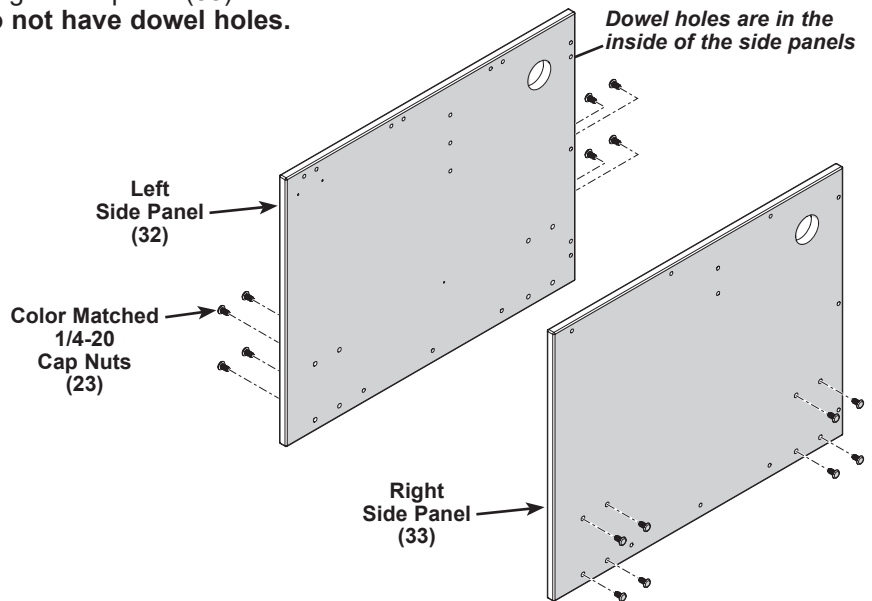


4. Attach two sets of 5-knuckle hinges (3) to the back panel using two #6 x 3/4" flat head screws (20). **Only one set of hinges will be attached if an optional rackmount shelf accessory will be installed. Be sure that the screws are seated flush with the hinges.**



## Basic Assembly (continued)

5. Insert eight color matched 1/4-20 cap nuts (23) into the **outside surface** of both the left side panel (32) and right side panel (33).  
**The outside of the side panels do not have dowel holes.**

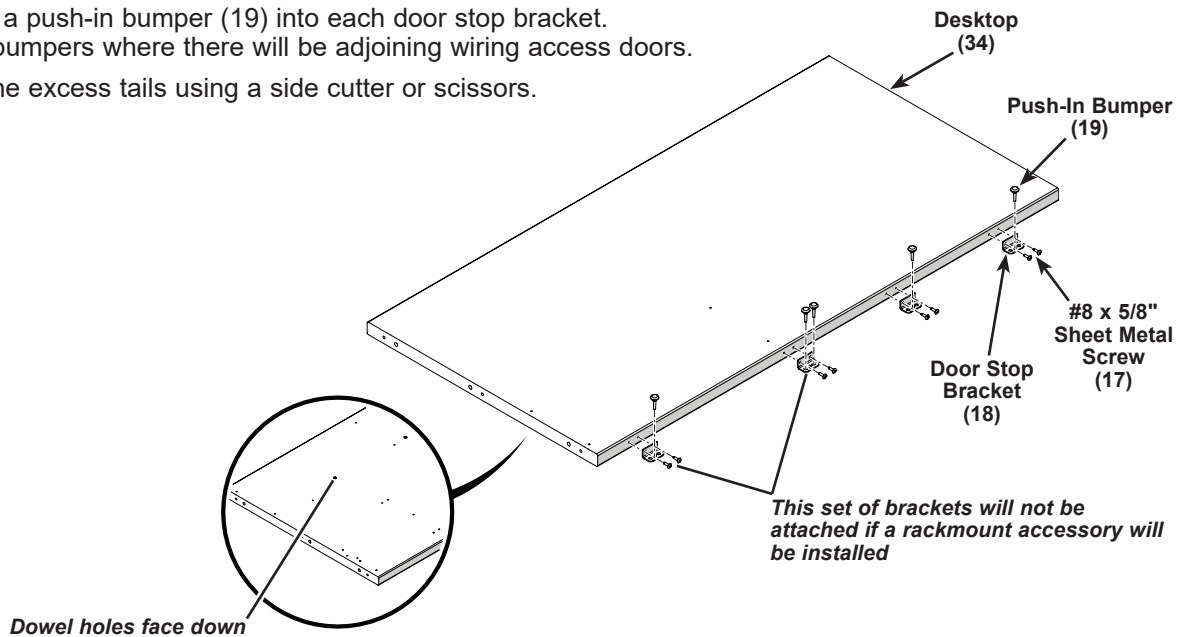


6. With the top facing up (the side without dowel holes), attach two sets of door stop brackets (18) to the back side of the desktop (34) using two #8 x 5/8" sheet metal screws (17) in each.

**Only one set of brackets will be attached if an optional rackmount shelf accessory will be installed.**

7. Push/pull a push-in bumper (19) into each door stop bracket. Use two bumpers where there will be adjoining wiring access doors.

Trim off the excess tails using a side cutter or scissors.

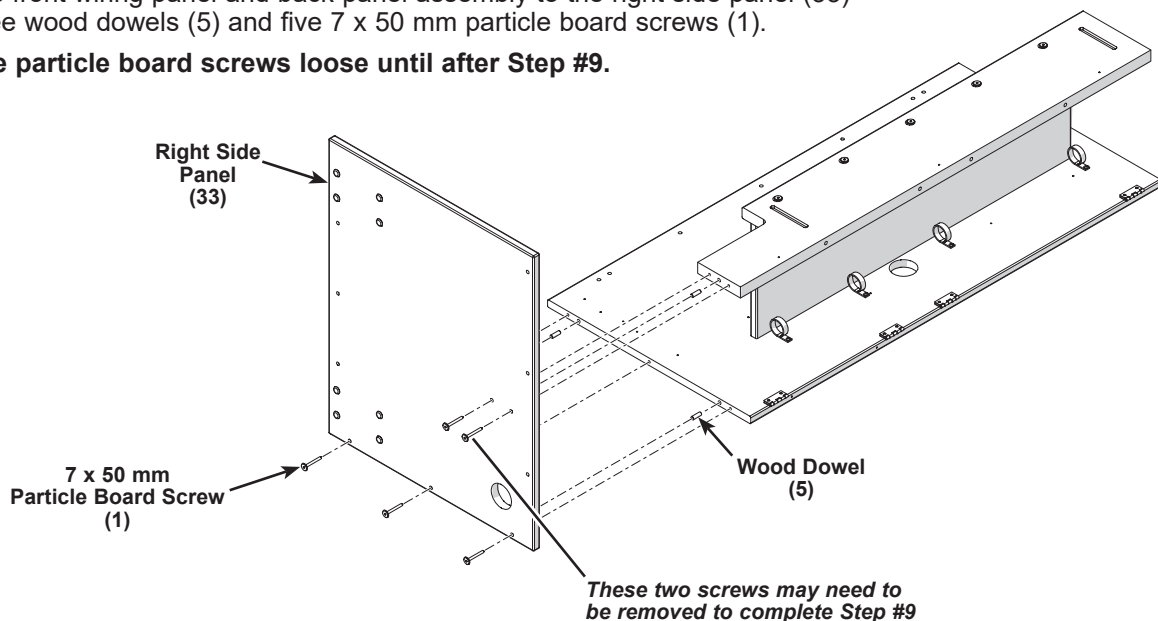




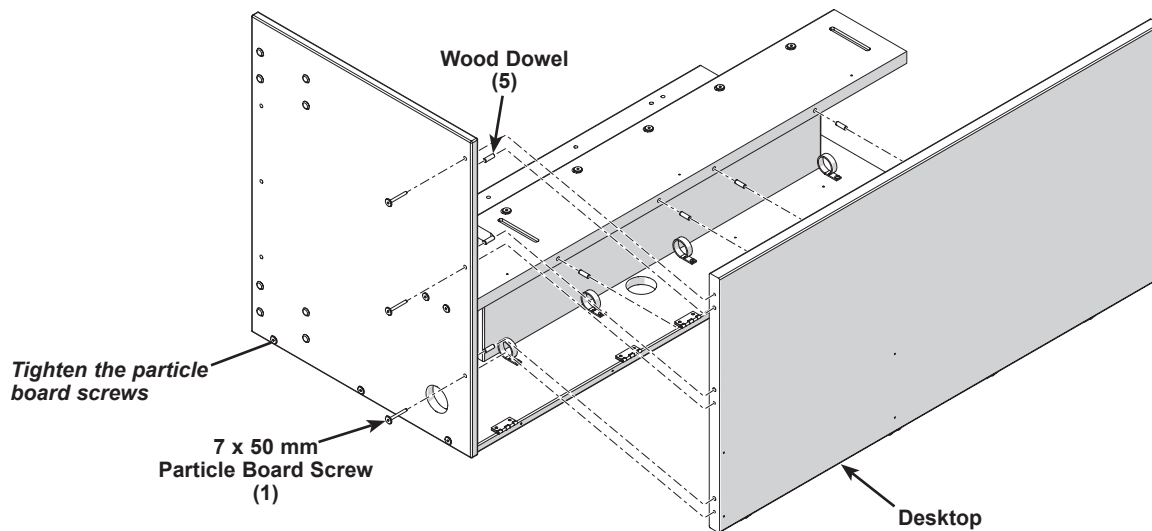
## Basic Assembly (continued)

8. Attach the front wiring panel and back panel assembly to the right side panel (33) using three wood dowels (5) and five 7 x 50 mm particle board screws (1).

Leave the particle board screws loose until after Step #9.



9. Use more than one person to attach the desktop to the front wiring panel and right side panel using seven wood dowels (5) and three 7 x 50 mm particle board screws (1).

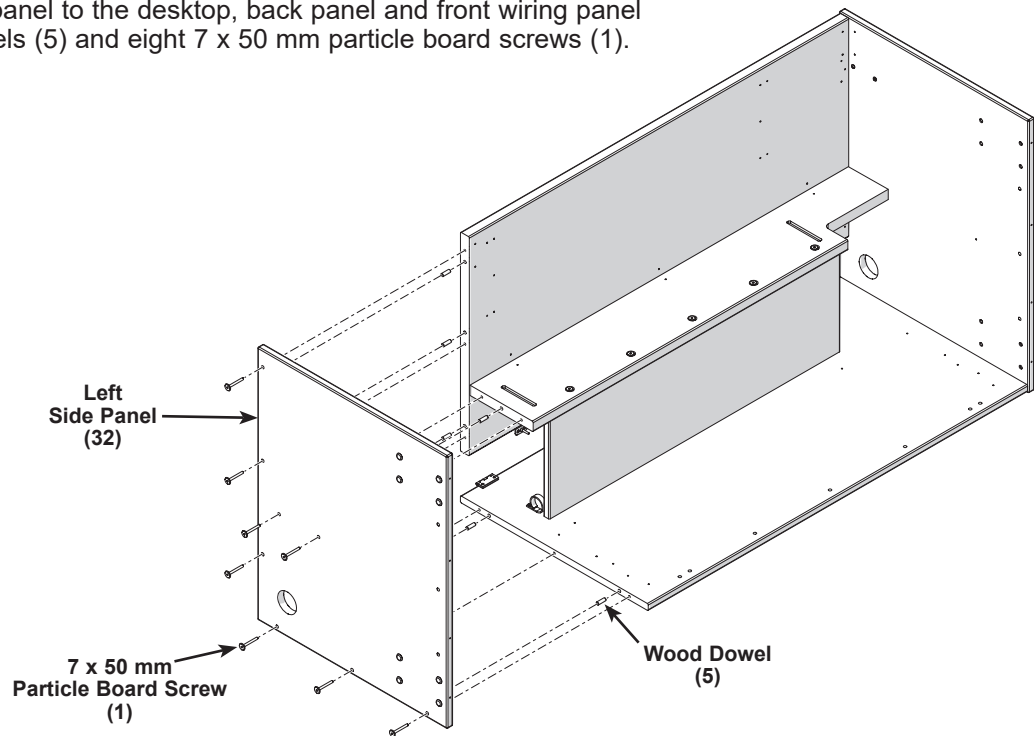


10. Tighten the particle board screws installed in Step #8.

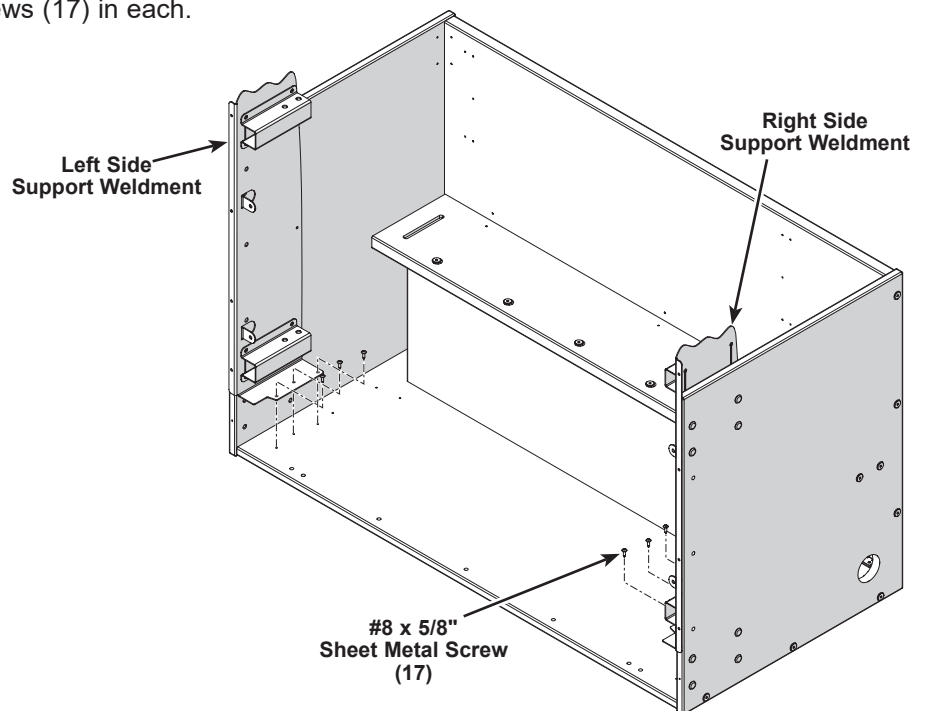
## Basic Assembly (continued)

---

11. Attach the left side panel to the desktop, back panel and front wiring panel using six wood dowels (5) and eight 7 x 50 mm particle board screws (1).



12. Attach the left and right side support weldments to the back panel using three #8 x 5/8" sheet metal screws (17) in each.



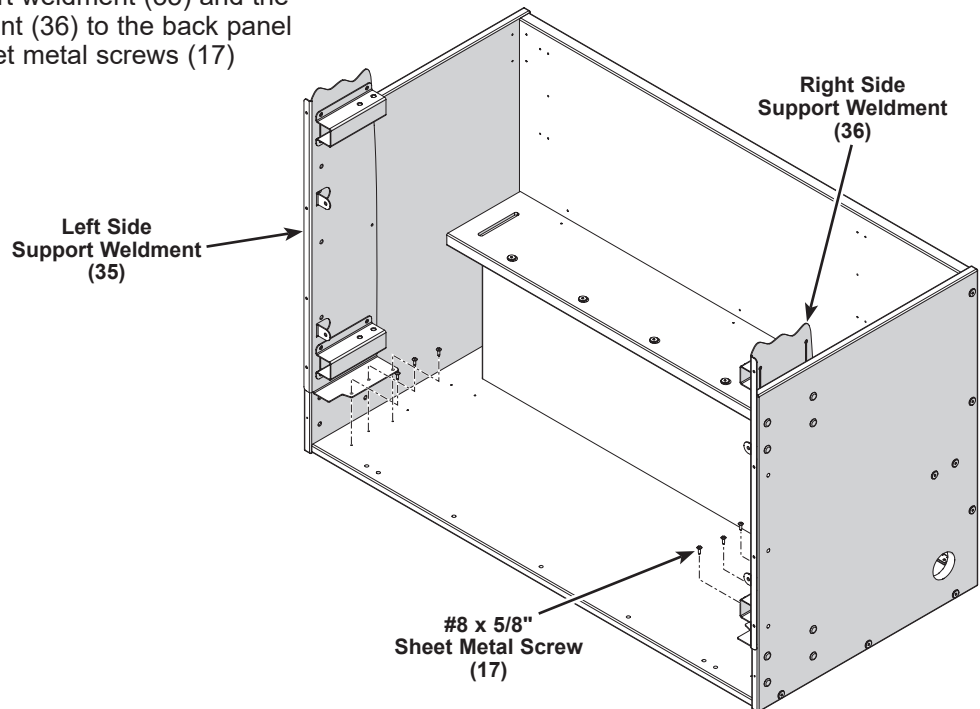
## Mobile Version Assembly



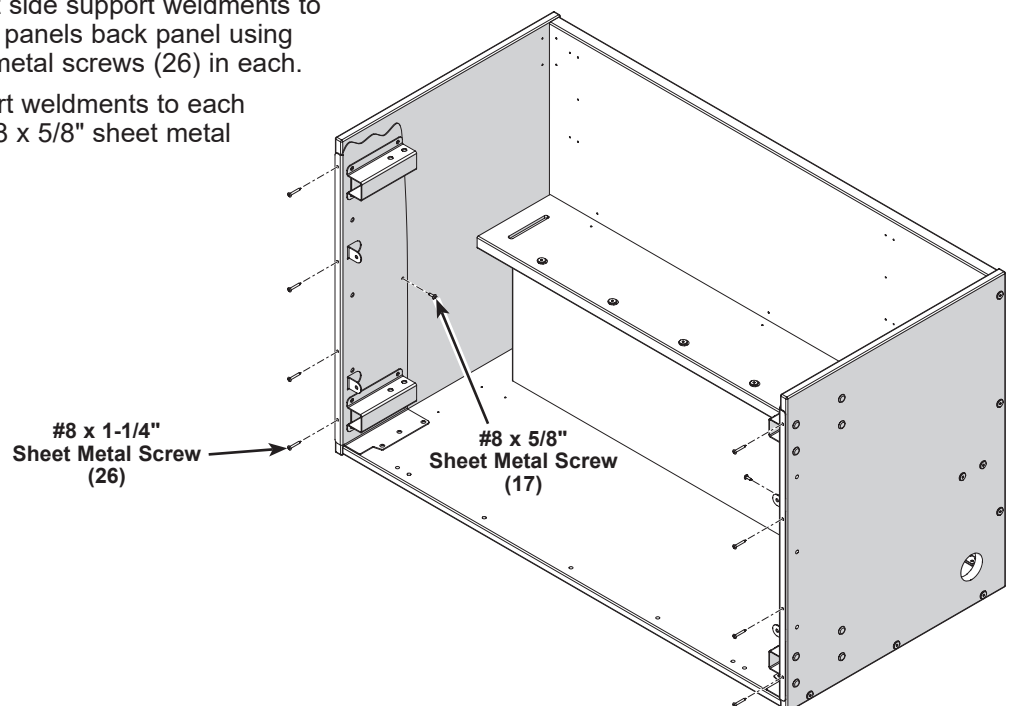
The following assembly procedure shows how to assemble the mobile version of the Adjustable Height Workstation.

For non-mobile version assembly, go to page 14.

1. Attach the left side support weldment (35) and the right side support weldment (36) to the back panel using three #8 x 5/8" sheet metal screws (17) in each.

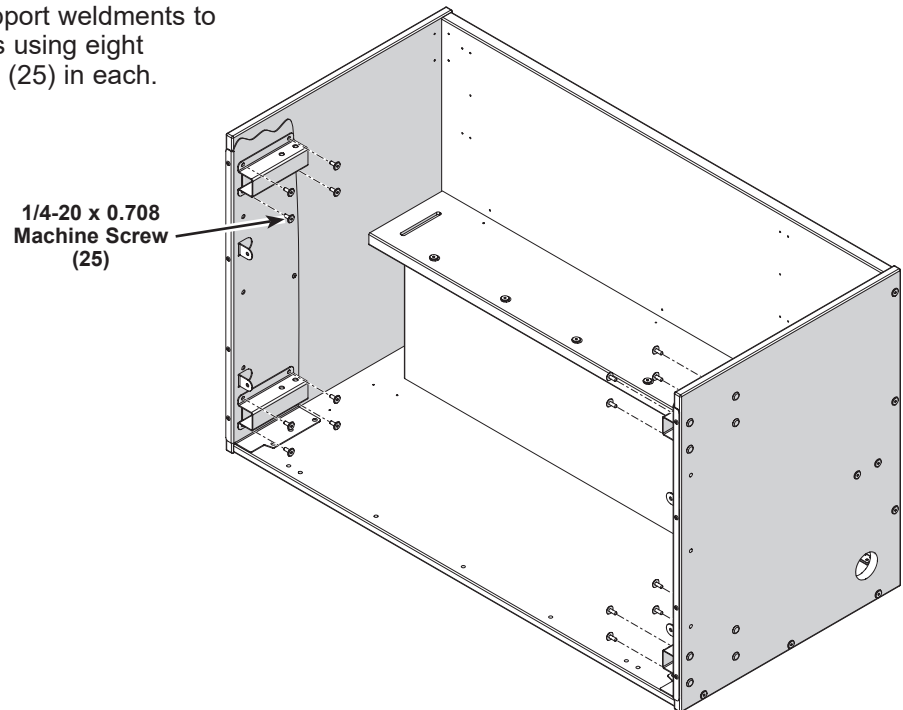


2. Attach the left and right side support weldments to the bottoms of the side panels back panel using four #8 x 1-1/4" sheet metal screws (26) in each.
3. Attach both side support weldments to each side panel using one #8 x 5/8" sheet metal screw (17).

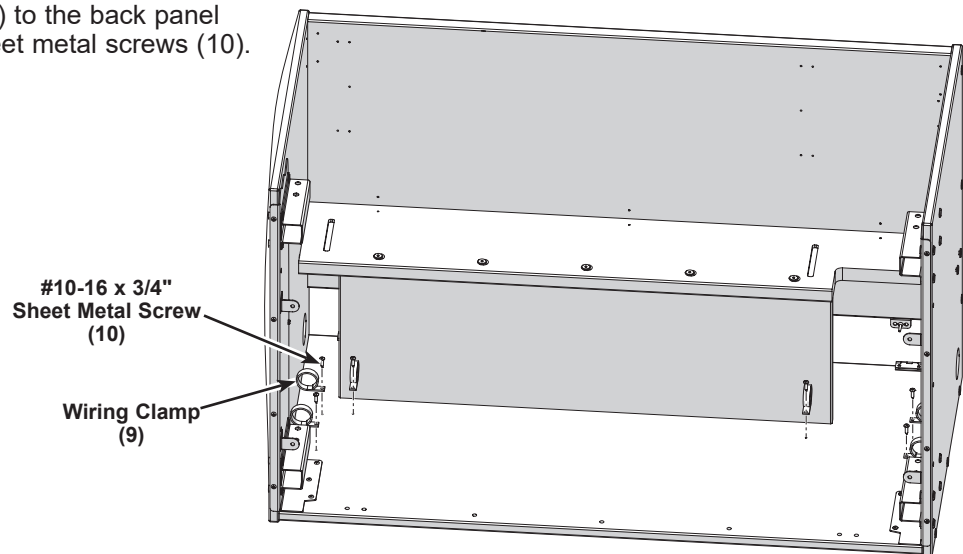


## Mobile Version Assembly (continued)

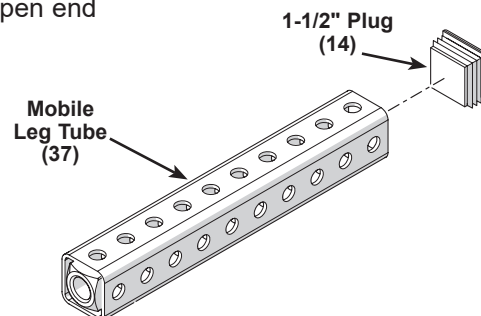
4. Attach the left and right side support weldments to the nut inserts in the side panels using eight 1/4-20 x 0.708" Machine screws (25) in each.



5. Attach six wiring clamps (9) to the back panel using six #10-16 x 3/4" sheet metal screws (10).

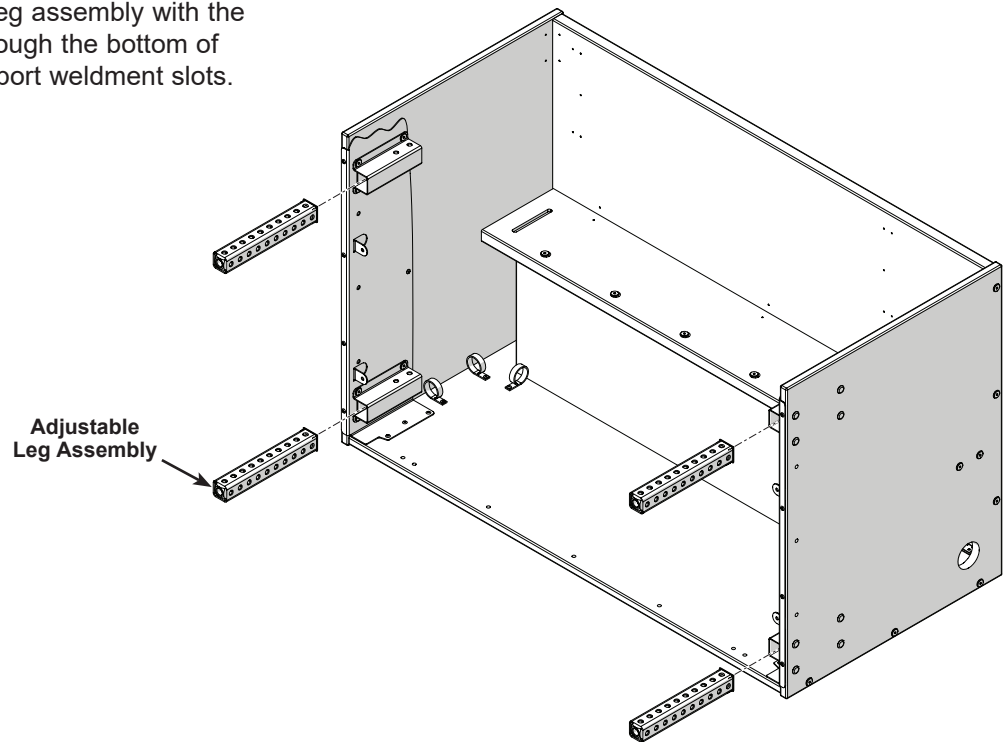


6. Using a mallet, tap 1-1/2" plug (14) into the open end of all four mobile leg tubes (37).

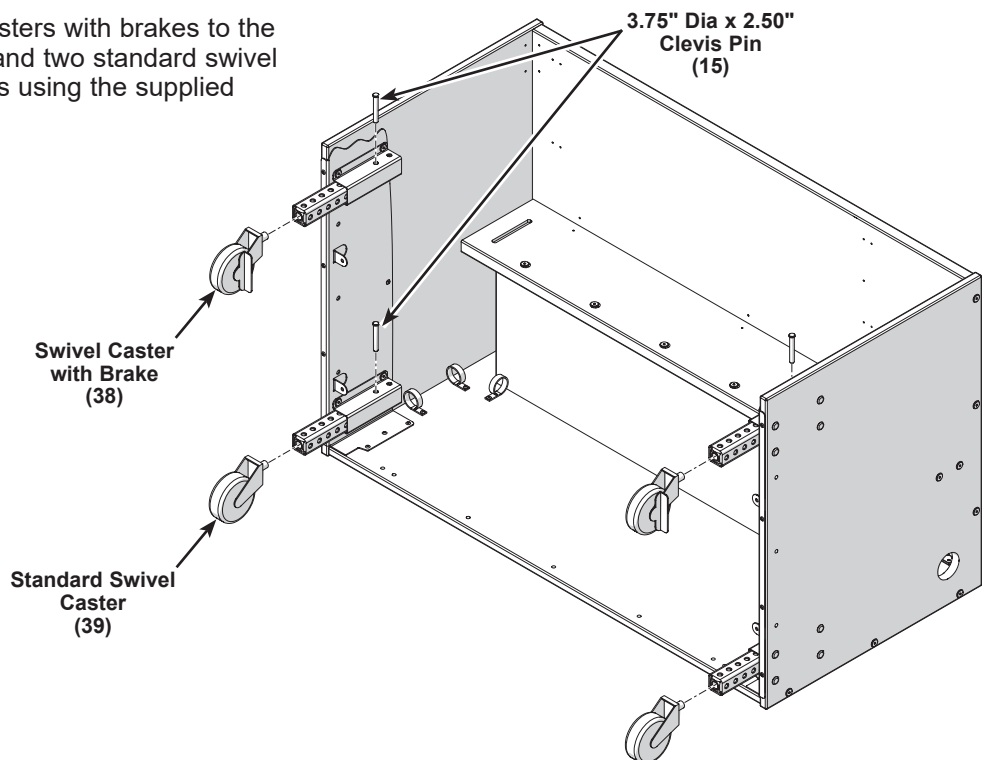


## Mobile Version Assembly (continued)

7. Insert one adjustable leg assembly with the plug end at the top through the bottom of all four of the side support weldment slots.



8. Attach the two swivel casters with brakes to the front of the workstation and two standard swivel casters to the fixed tubes using the supplied caster wrench (16).



9. Set the height of the adjustable leg tubes with a 3.75" Dia x 2.50" clevis pin (15) and skip ahead to "Final Assembly" on page 16.

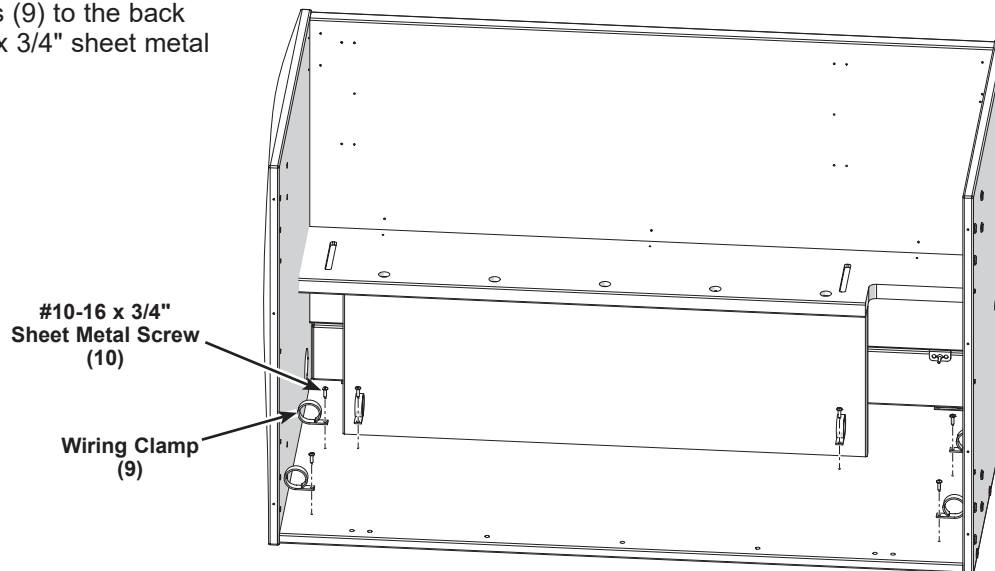
## Non-Mobile Version Assembly



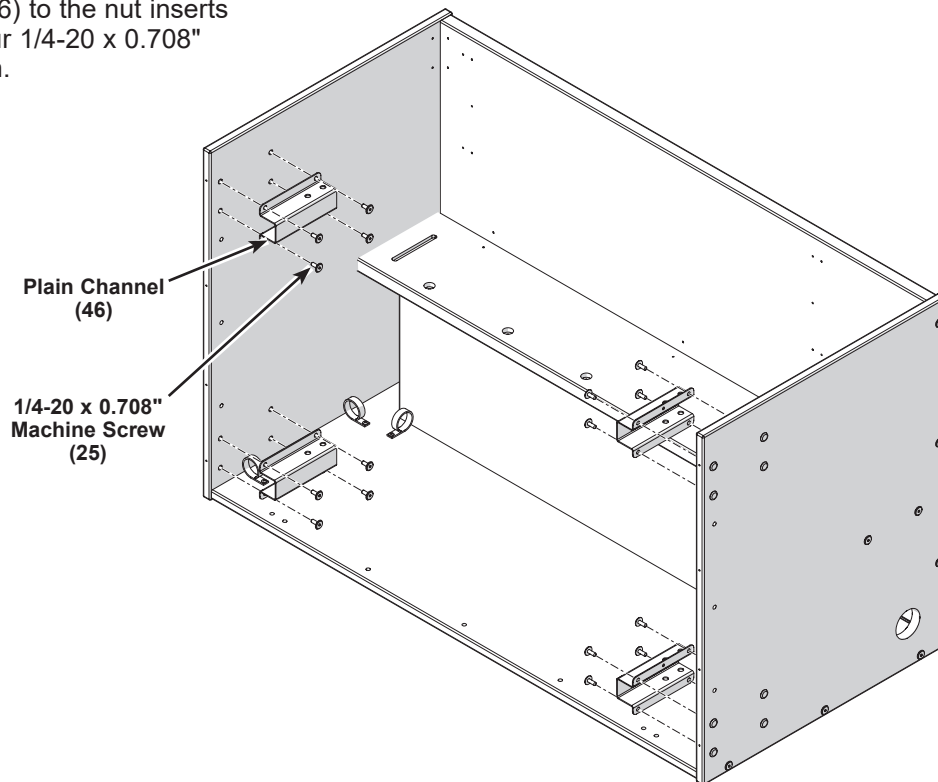
The following assembly procedure shows how to assemble the non-mobile version of the Adjustable Height Workstation.

For mobile version assembly, go to page 11.

1. Attach six wiring clamps (9) to the back panel using six #10-16 x 3/4" sheet metal screws (10).

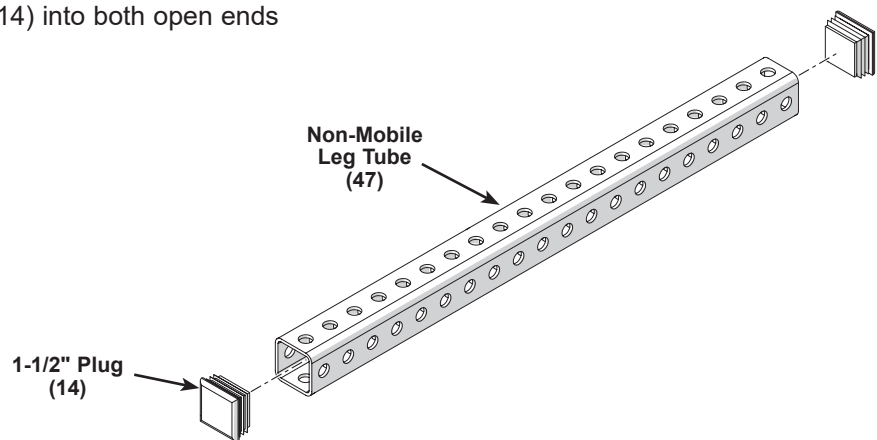


2. Attach two plain channels (46) to the nut inserts in both side panels using four 1/4-20 x 0.708" machine screws (25) in each.

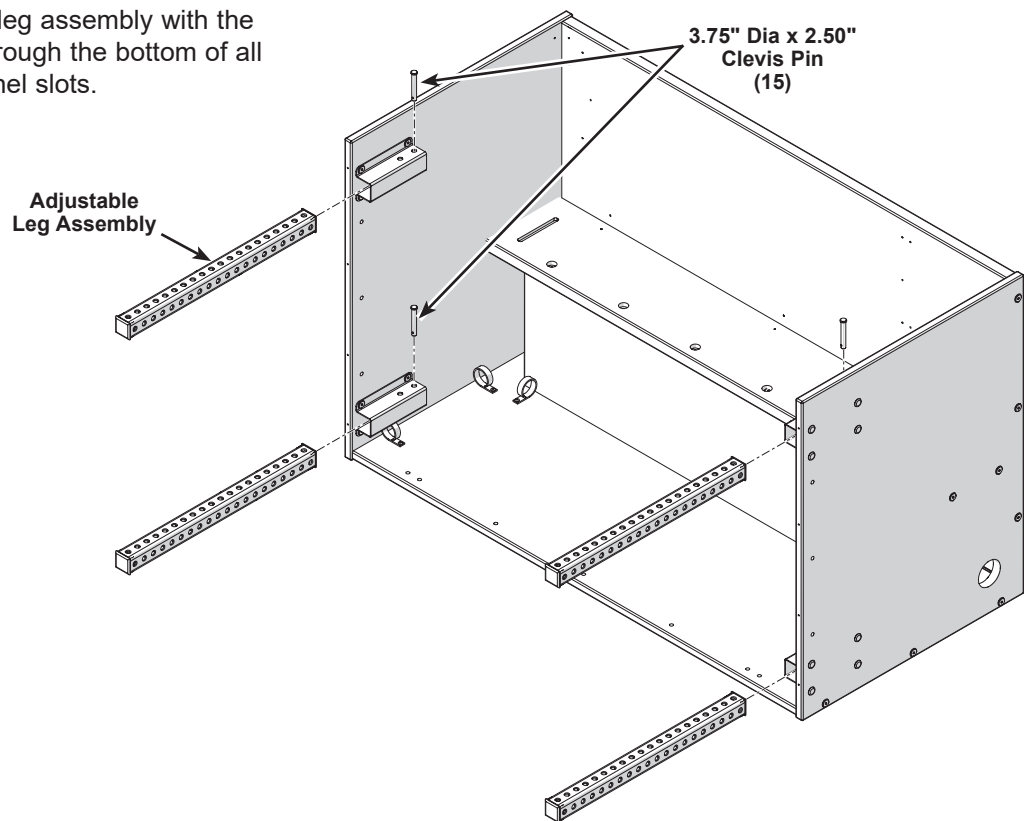


## Non-Mobile Version Assembly (continued)

- Using a mallet, tap a 1-1/4" plug (14) into both open ends of all four mobile leg tubes (47).



- Insert one adjustable leg assembly with the plug end at the top through the bottom of all four of the plain channel slots.



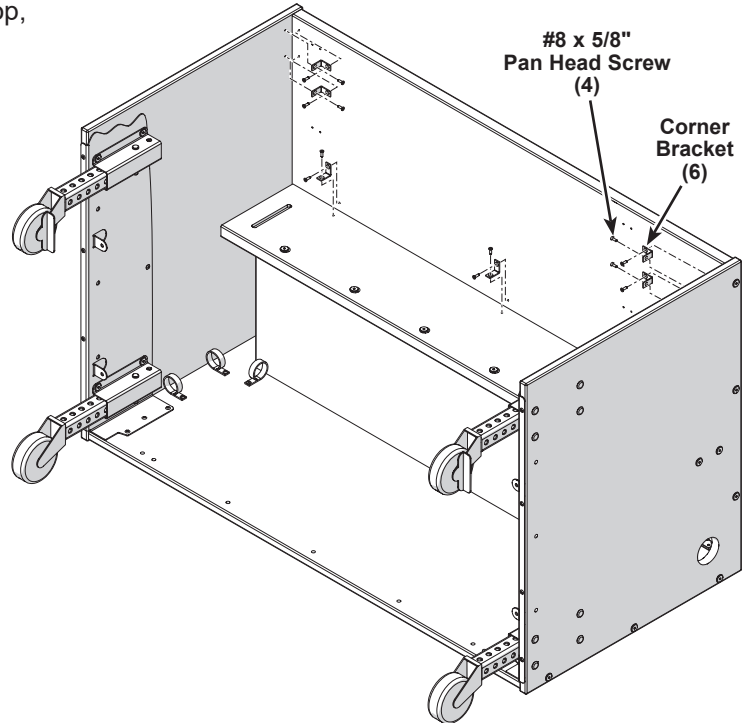
- Set the height of the adjustable leg tubes with a 3.75" Dia x 2.50" clevis pin (15) and skip ahead to "Final Assembly" on page 16.

## Final Assembly

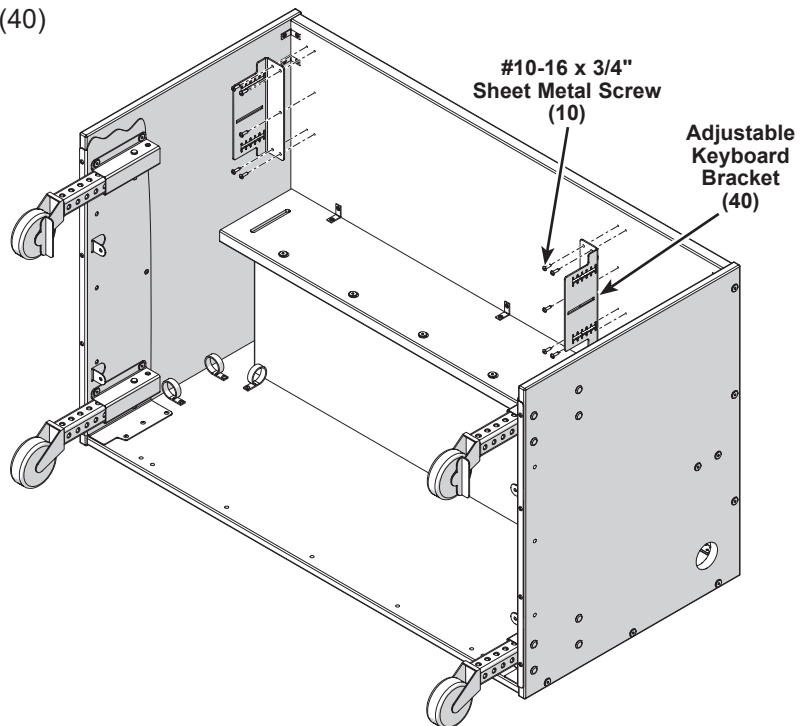
### NOTICE

The following assembly procedure shows the mobile version of the Adjustable Height Workstation, the procedure is the same for the non-mobile version unless otherwise noted.

1. Attach seven corner brackets (6) to the desktop, side panels and front wiring panel using #8 x 5/8" pan head screws (4) in each.



2. Attach two adjustable keyboard brackets (40) to the bottom of the desktop using five #10-16 x 3/4" sheet metal screws (10) in each.



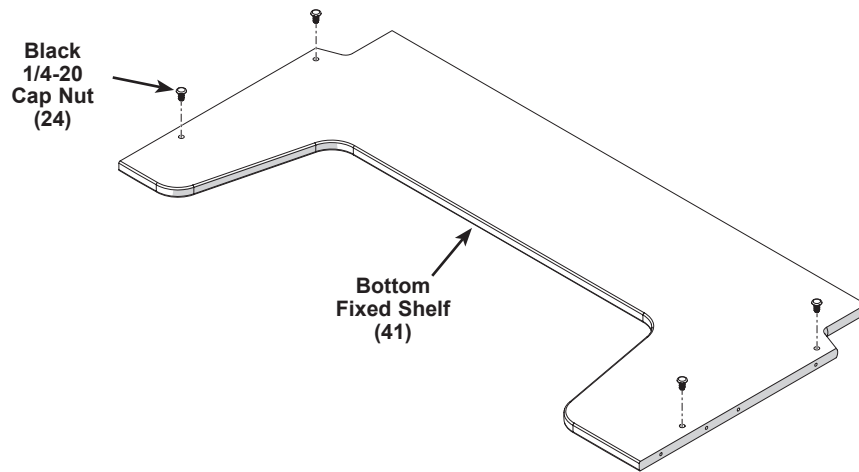


## ***Final Assembly (continued)***

---

3. **This step is for the mobile version only, does not apply to the non-mobile version:**

Insert four black 1/4-20 cap nuts (24) into the predrilled holes in the top of the bottom fixed shelf (41).



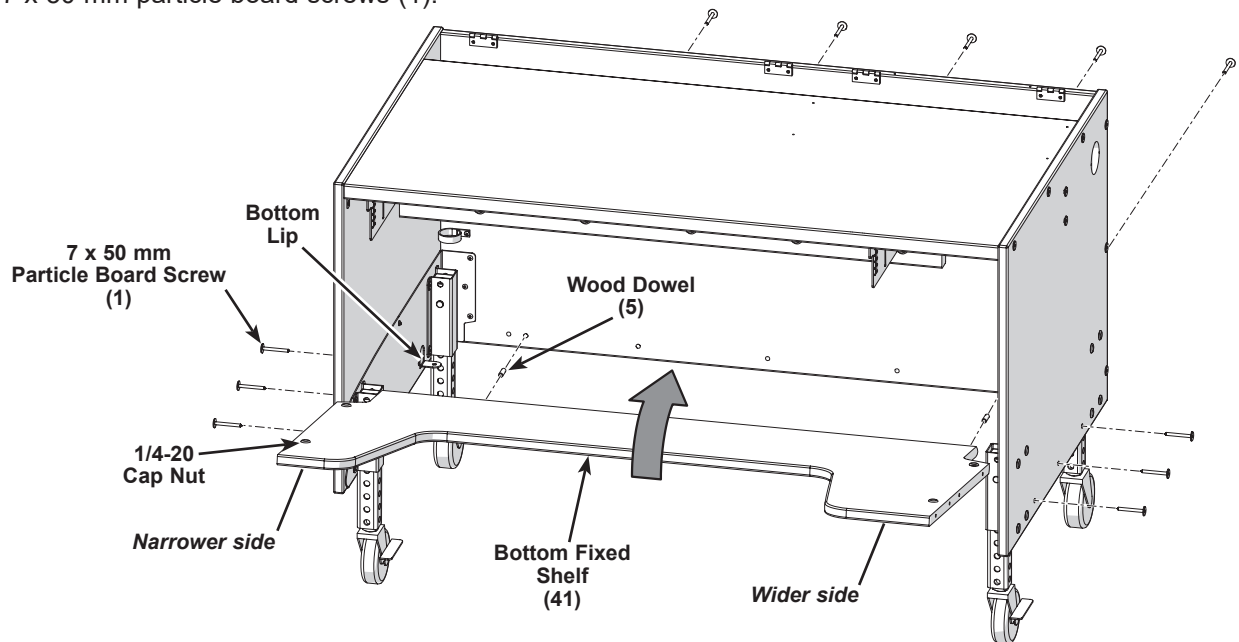
4. Tip the assembly onto the legs.

## Final Assembly (continued)



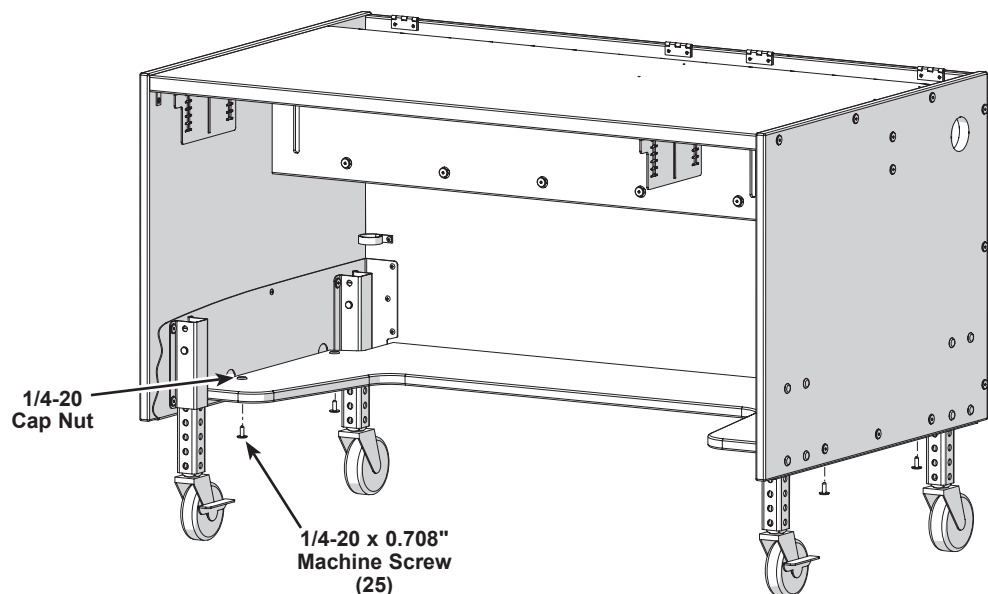
Mobile version instruction only - non-mobile version on the following page.

5. Attach the bottom fixed shelf (41).
  - a. Keep the narrower side of the bottom shelf at the same side as the keyboard brackets (this leaves room for a computer tower on the wider side of the shelf).
  - b. With the cap nuts facing up, tip the shelf to fit onto the bottom lips of the side support weldments.
  - c. Attach the shelf to the side and back panels using two wood dowels (5) at the back and eleven 7 x 50 mm particle board screws (1).



- d. Attach the shelf to the side support weldments on each side using two 1/4-20 x 0.708" machine screws (25) into the previously installed cap nuts.

Move ahead to Step #6.

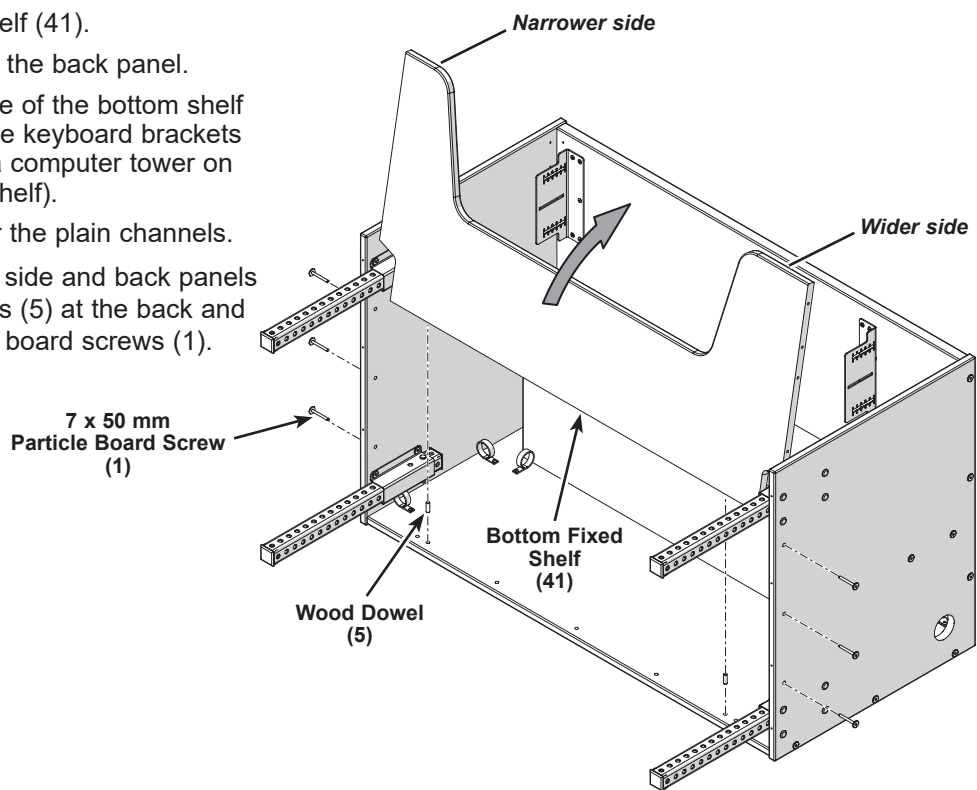


## Final Assembly (continued)



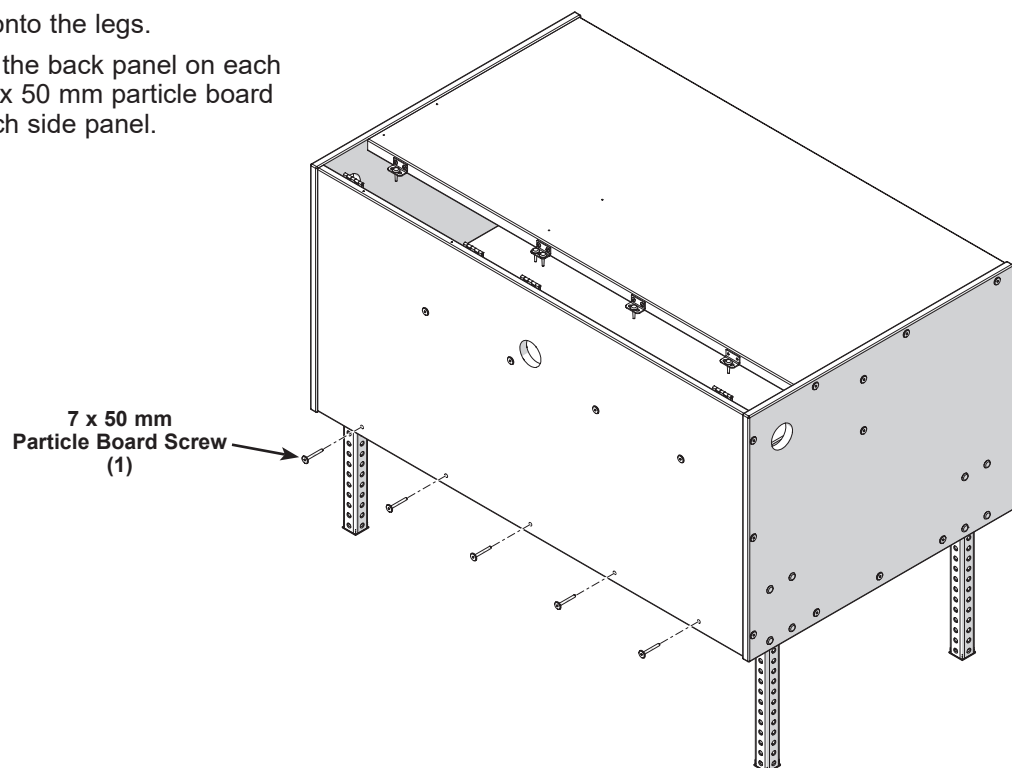
Mobile version instruction only - non-mobile version on the previous page.

5. Attach the bottom fixed shelf (41).
  - a. Tip the assembly onto the back panel.
  - b. Keep the narrower side of the bottom shelf at the same side as the keyboard brackets (this leaves room for a computer tower on the wider side of the shelf).
  - c. Tip the shelf to fit over the plain channels.
  - d. Attach the shelf to the side and back panels using two wood dowels (5) at the back and six 7 x 50 mm particle board screws (1).



- e. Tip the assembly onto the legs.
  - f. Attach the shelf to the back panel on each side using three 7 x 50 mm particle board screws (1) into each side panel.

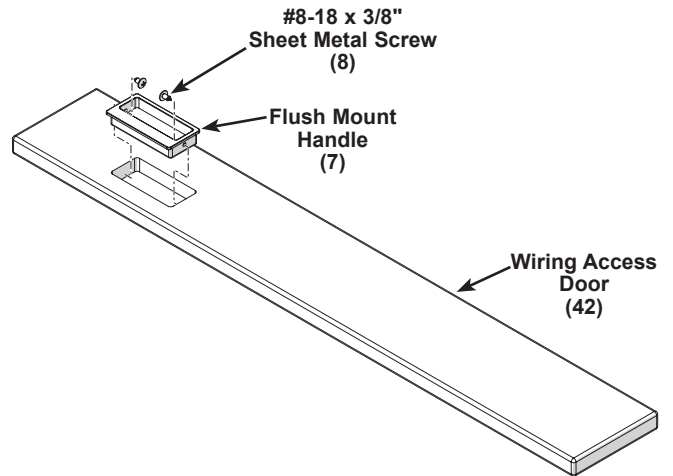
Move ahead to Step #6.



## Final Assembly (continued)

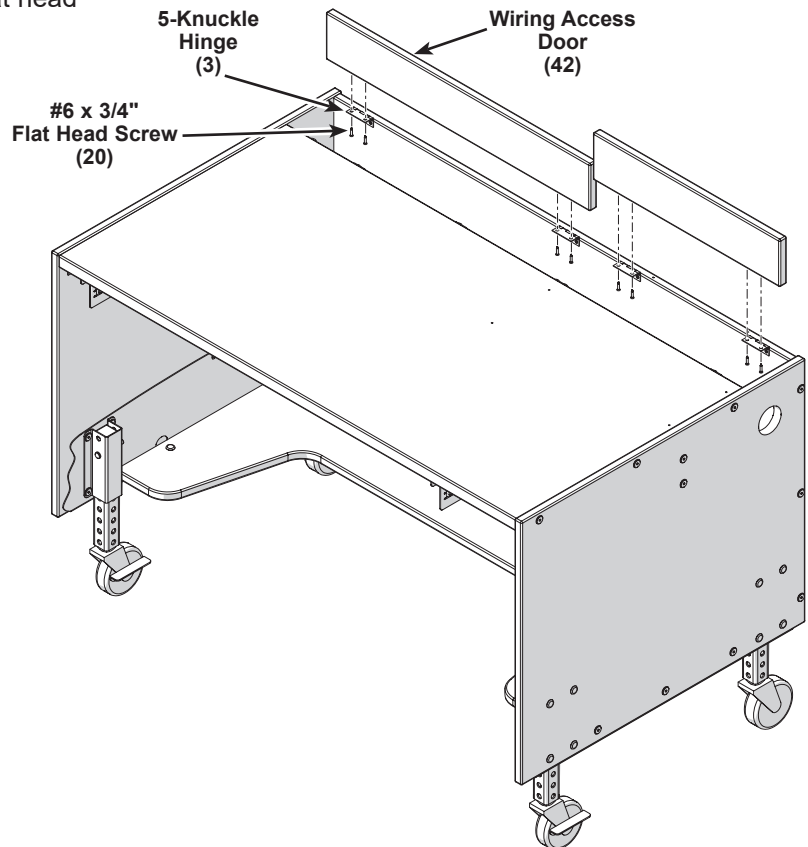
---

6. Attach the flush mount handle (7) to the longer wiring access door (42) using two #8-18 x 3/8" sheet metal screws (8).



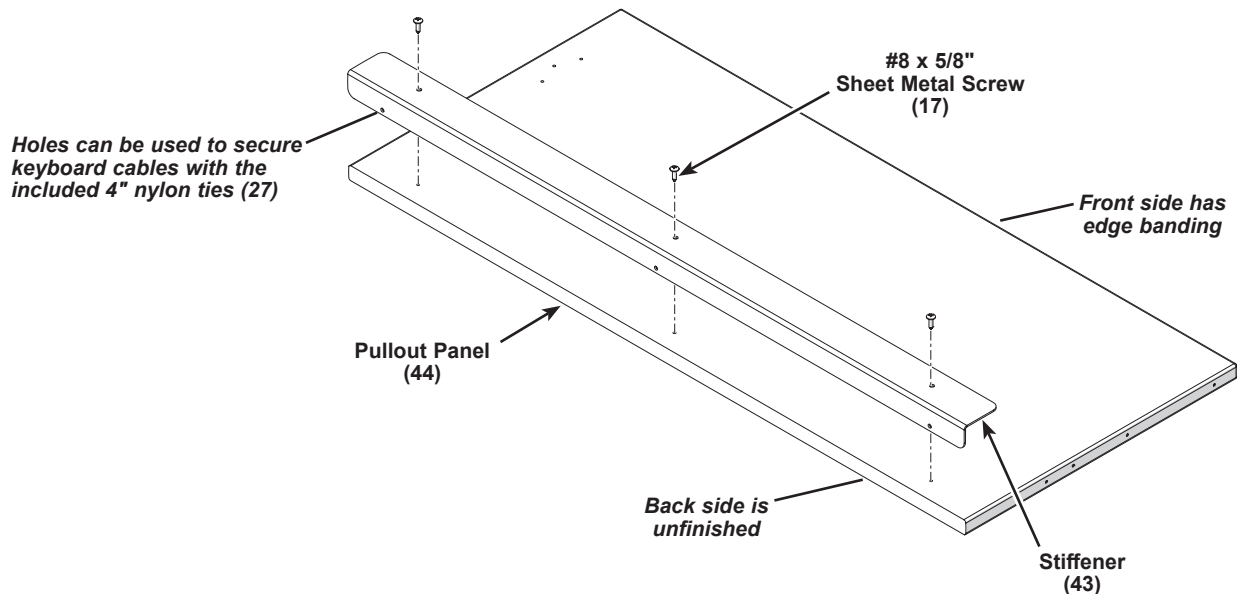
7. Attach a wiring access door to each set of hinges in the back panel using two #6 x 3/4" flat head screws (20).

**Be sure that the screws are seated flush with the hinges.**

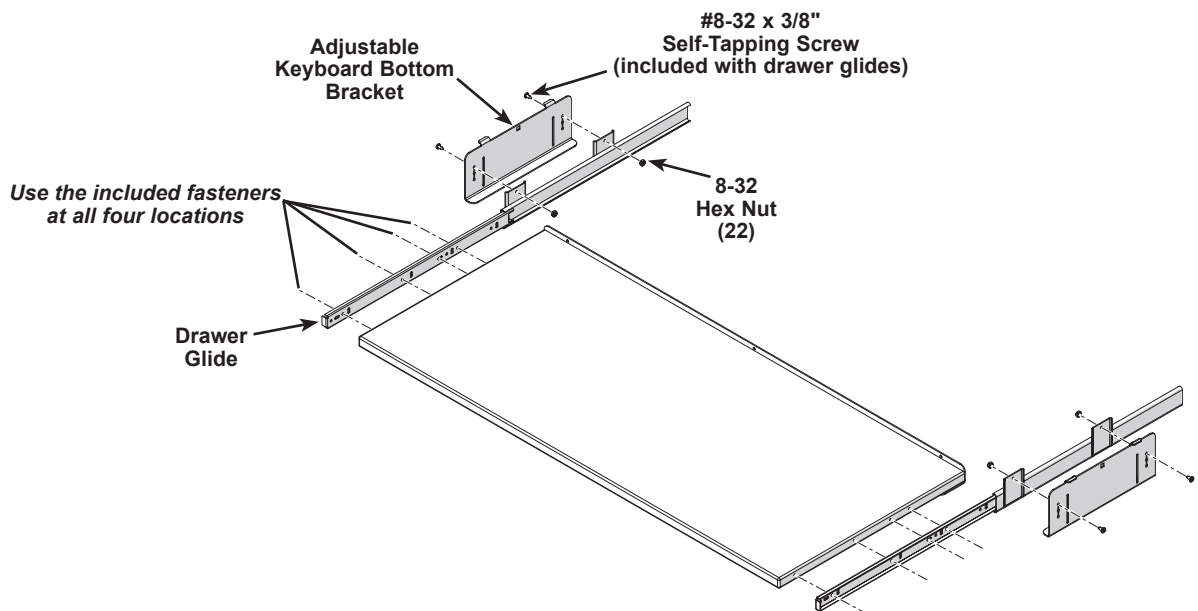


## Final Assembly (continued)

8. Attach a stiffener (43) to the bottom on the back side of the pullout panel (44) using three #8 x 5/8" sheet metal screws (17).



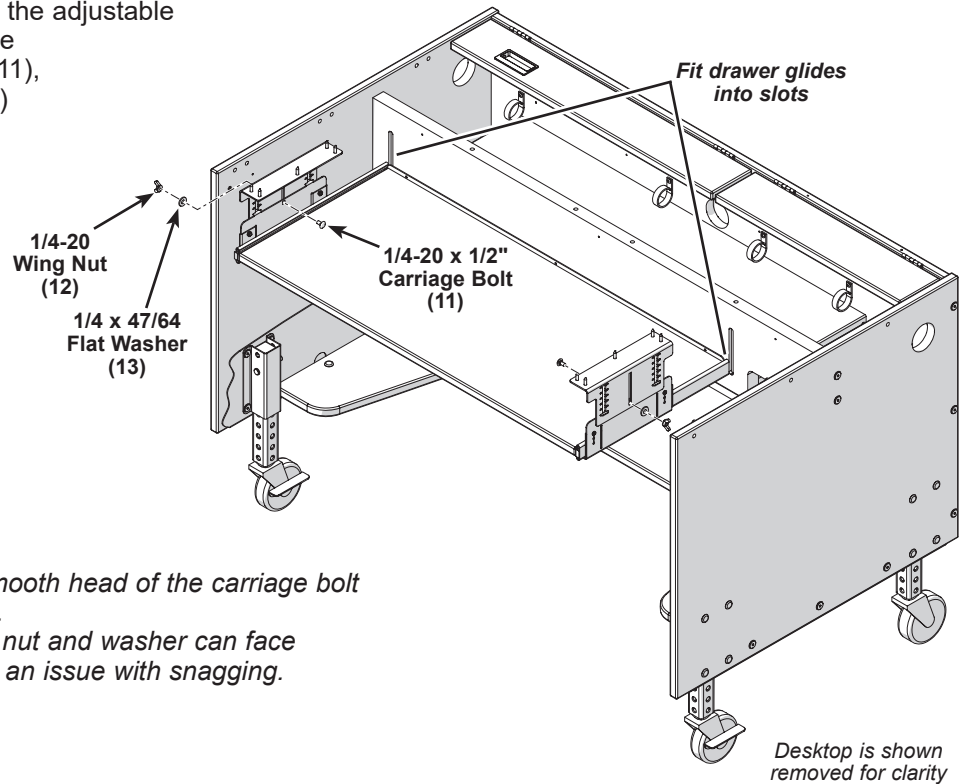
9. Extend the drawer glides and attach one to each side of the pullout panel using the included fasteners at all four locations.
10. Attach the adjustable keyboard bottom brackets to the drawer glides using a #8-32 x 3/8" self-tapping screw (included with drawer glides) and a 8-32 hex nut (22) on each side.



## Final Assembly (continued)

11. Fit the back of both drawer glides into the slots of the front wiring panel.

Attach the pullout drawer to the adjustable keyboard brackets using one 1/4-20 x 1/2" carriage bolt (11), 1/4 x 47/64" flat washer (13) and 1/4-20 wing nut (12) on each side.

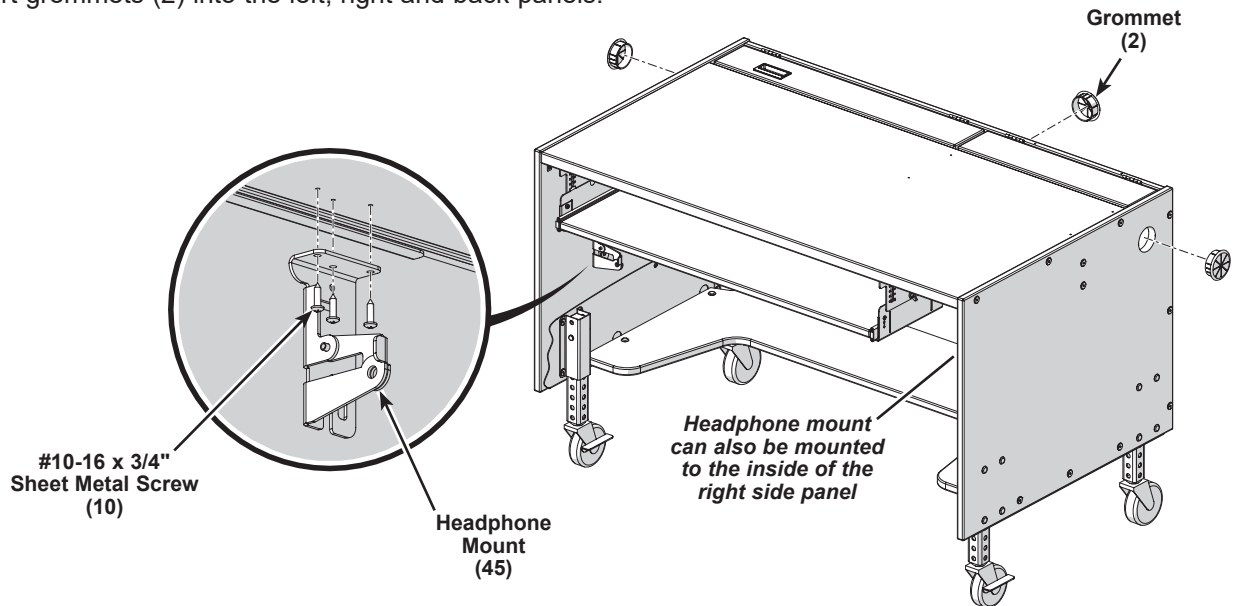


*It is preferred to face the smooth head of the carriage bolt toward the inside as shown. If space is limited, the wing nut and washer can face the inside but there may be an issue with snagging.*

12. Attach headphone mount (45) to the bottom of the pullout drawer using three #10-16 x 3/4" sheet metal screws (10).

Headphone mount can also be attached to the inside of the right side panel.

13. Insert grommets (2) into the left, right and back panels.



# Optional Rackmount Shelf Assembly

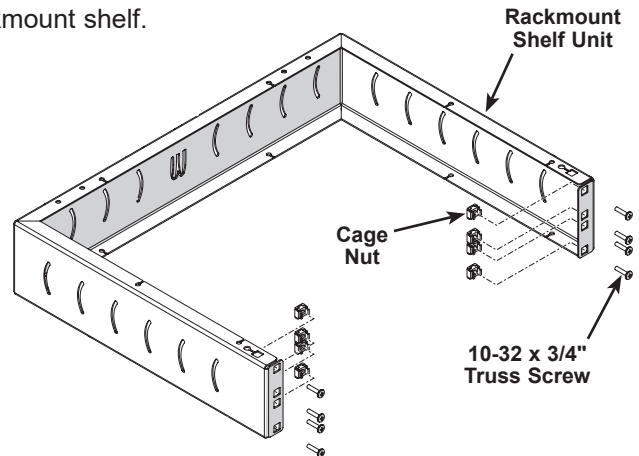
## NOTICE

*If installing the optional rackmount shelf assembly, the smaller wiring access door and hinges must be removed.*

1. Clip the cage nuts into the front of each individual rackmount shelf.

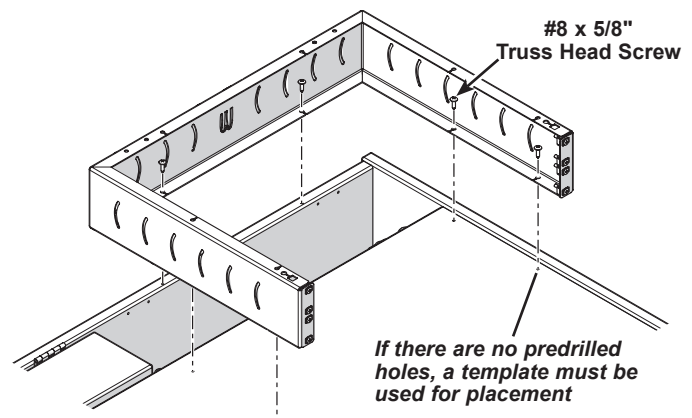
10-32 X 3/4" truss screws are included to secure electronic components into the rackmount.

The deepest electronic components should be installed at the bottom rackmount shelf.

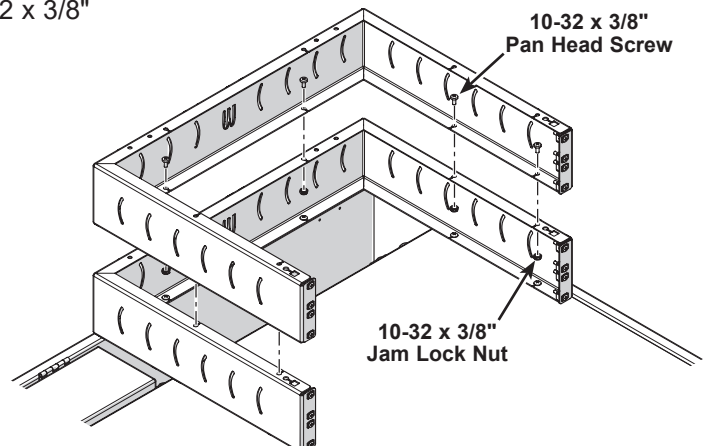


2. Attach the rackmount shelf to the desktop using six #8 x 5/8" truss head screws.

If there are no existing predrilled holes, a template must be used for placement.



3. Connect additional shelving units using six #10-32 x 3/8" pan head screws and 10-32 jam lock nuts.

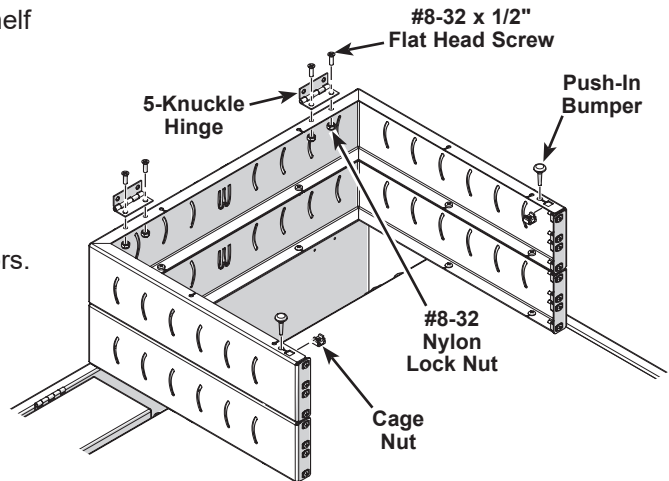


## Optional Rackmount Shelf Assembly (continued)

- Attach two 5-knuckle hinges to the top rackmount shelf using two #8-32 x 1/2" flat head screws and two #8-32 nylon lock nuts in each.

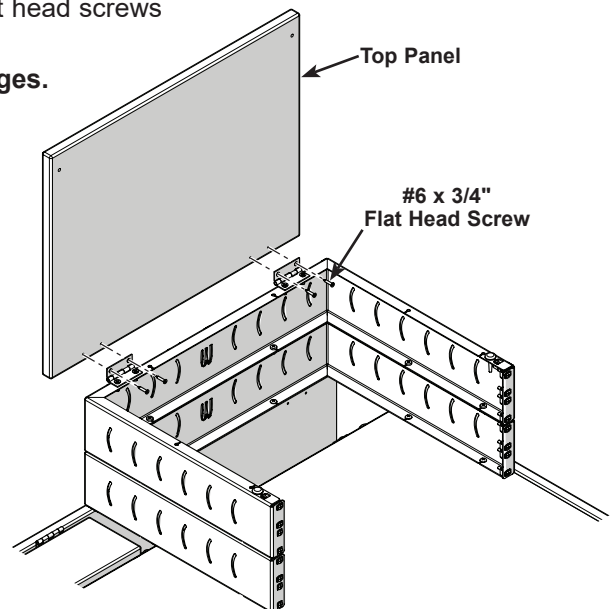
**Be sure that the screws are seated flush with the hinges.**

- Push/pull two push-in bumpers into the front of the rackmount.  
Trim off the excess tails using a side cutter or scissors.
- Clip the two cage nuts into the top at the front of the top rackmount shelf.



- Attach the top panel to the hinges using two #6 x 3/4" flat head screws in each hinge.

**Be sure that the screws are seated flush with the hinges.**



- Close the top panel and secure it to the top rackmount shelf using two #10-32 x 1.25" pan head screws.

